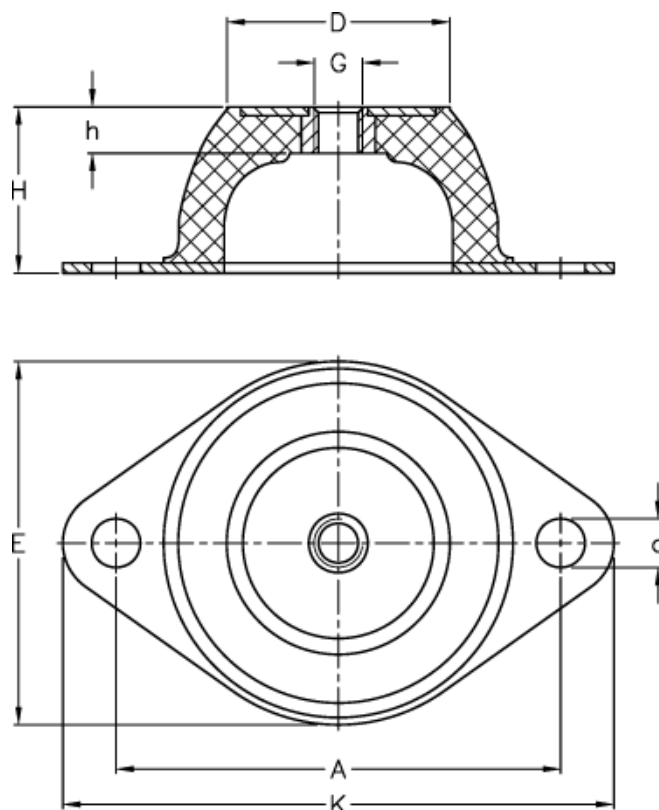


Article number: 51835287100010

Description: Vibration damper VIBR M0200

Measures



A = 124 Max. (kg) 40 degrees C = 130.0

D = 58 Max. (kg) 60 degrees C = 220

d = 11.5

E = 101

G = M10

H = 45

h = 13

K = 151